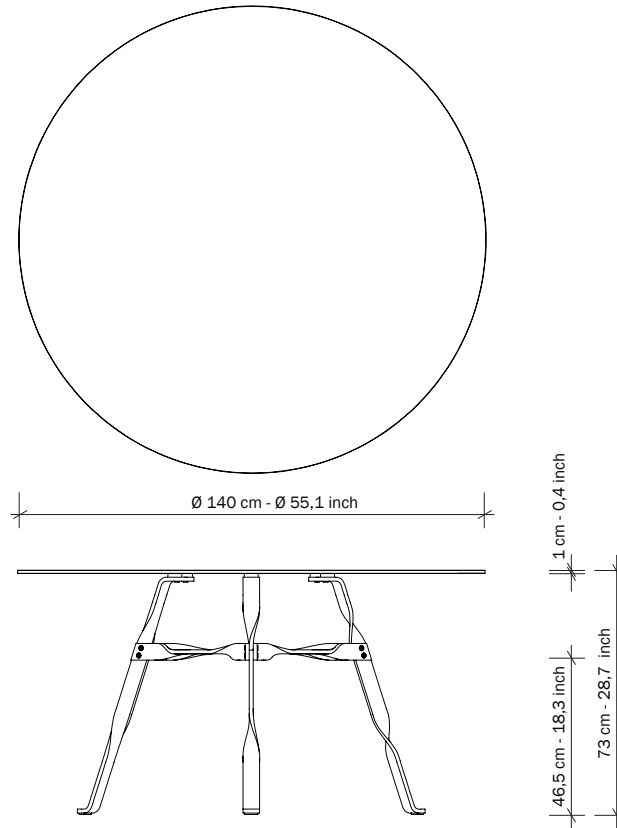


TWIST GLASS

THOMAS SCHNUR



SPECIFICATIONS

Frame:

Steel, powder coated in black.

Top:

Dark grey, 10 mm thick
tempered glass.

Weight:

60 kg - 132 lb.

3D-FILES OR HR-IMAGES

Check: www.functionals.eu/downloads