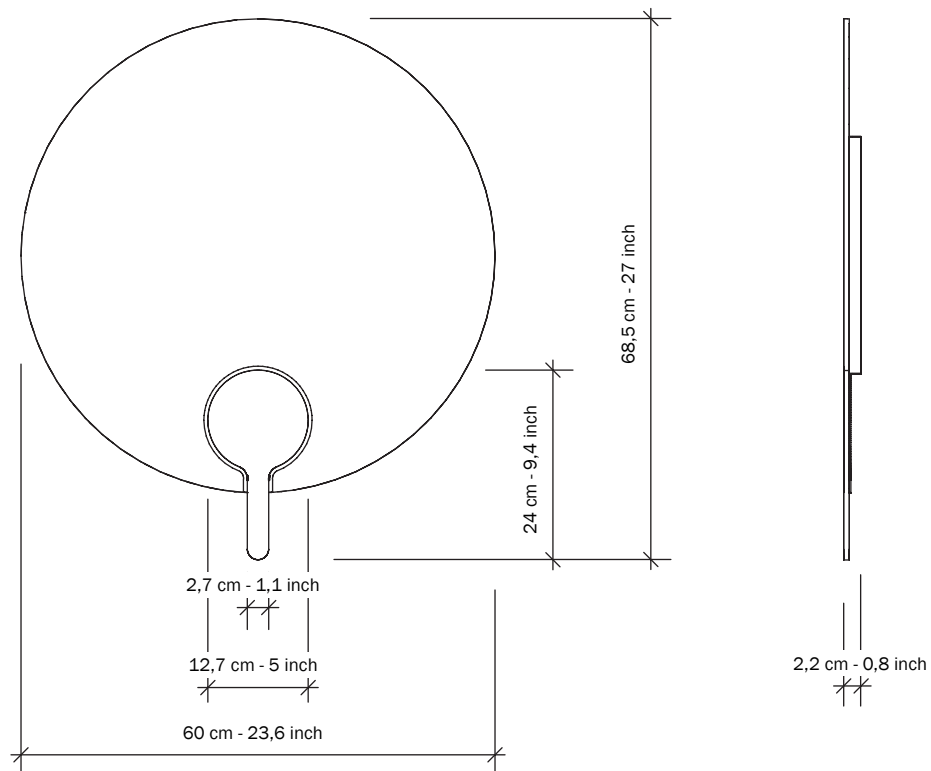


MIRROR MIRROR

JAN HABRAKEN

by Ad&Simon



SPECIFICATIONS

Large wall mounted mirror:

5 mm thick with polished edges.
2 mm thick metal back plate.

Hand Mirror:

5 mm thick with polished edges.
2 mm thick metal back plate.
Magnet attached to the back plate.

Weight:

8,6 kg - 19,0 lb.

3D-FILES OR HR-IMAGES

Check: www.functionals.eu/downloads

Functionals

Edisonstraat 5
NL-5051 DS Goirle
tel. +31 (0)13 530 03 89
info@functionals.eu
www.functionals.eu