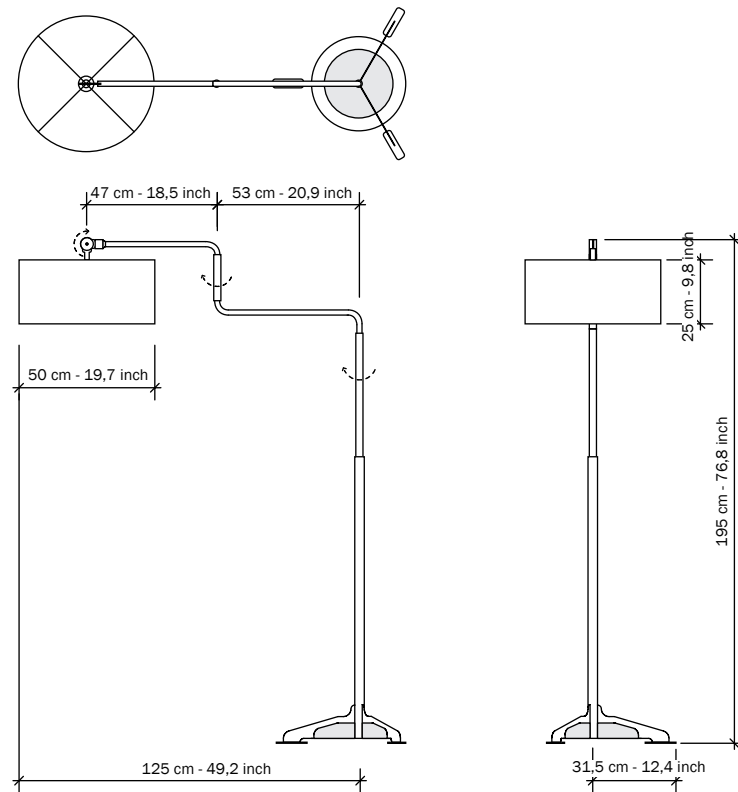


## SWIVEL FLOOR

DICK VAN HOFF



### SPECIFICATIONS

#### Frame:

Steel tubing, powder coated in textured black or white, Two swivel points.

#### Base:

5 mm massive steel, weight down by three unfinished concrete parts. Felt is attached to the bottom of the base.

#### Lampshade:

Polyester, black or white, Can be swivelled to desirable angle.

#### Cable length:

180 cm - 70.9 inch

#### Light Source:

EU: Fitting E27

Max. 60 Watt

220 V

USA: Fitting E26

Max. 60 Watt

110 V

#### Energy class:

Lamp is suitable for bulbs of energy class A++, A+, A, B, C, D and E.

Lamp is sold with a LED bulb of energy class A++.

#### Weight:

21,7 kg - 47,8 lb.

### 3D-FILES OR HR-IMAGES

Check: [www.functionals.eu/downloads](http://www.functionals.eu/downloads)

#### Functionals

Edisonstraat 5

NL-5051 DS Goirle

tel. +31 (0)13 530 03 89

info@functionals.eu

www.functionals.eu